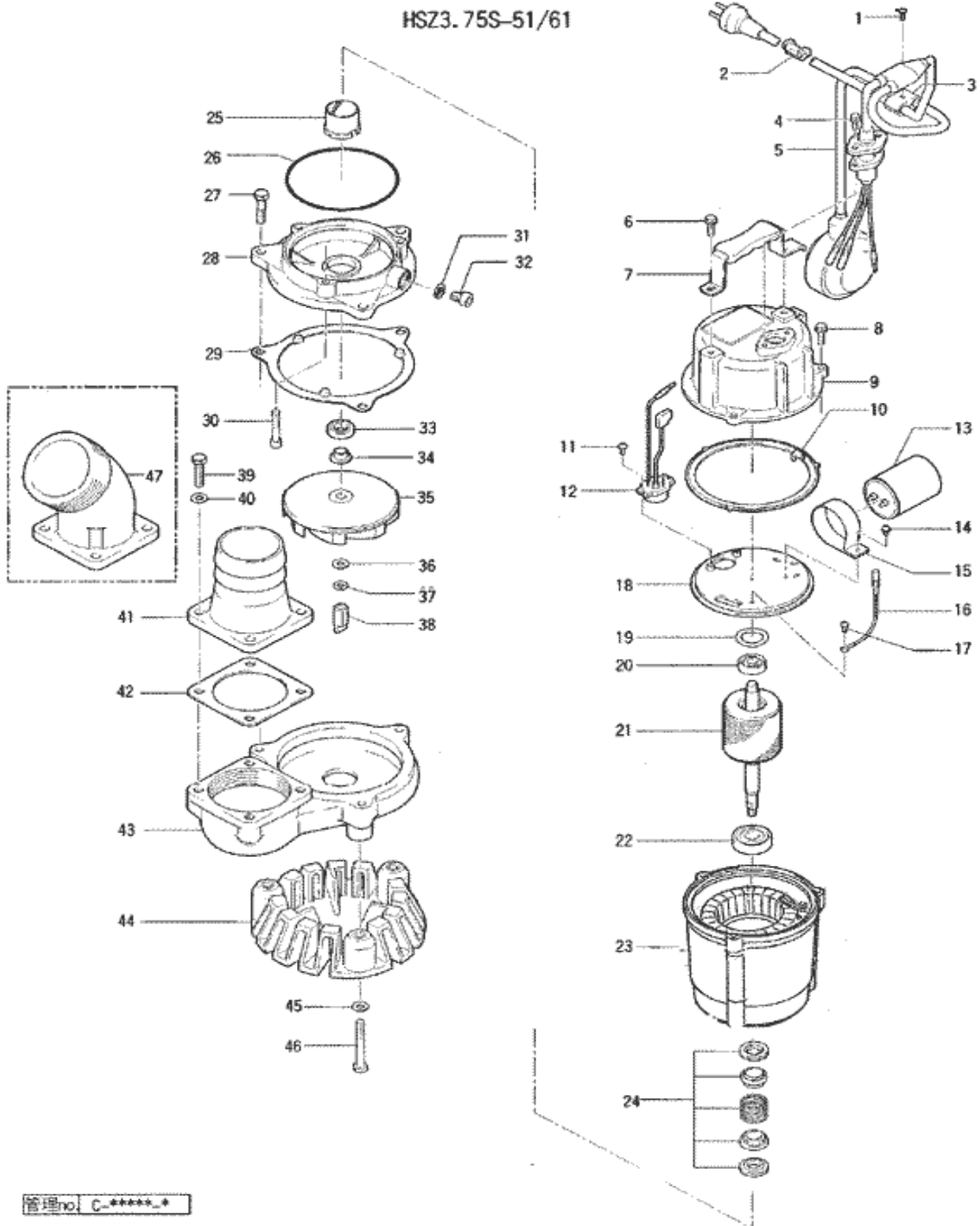


PARTS LIST		CONTRACTOR PUMPS				12/4/2012
ITEM	PART No.	DESCRIPTION	QTY	SIZE	MATERIAL	NOTES

EXPLODED VIEW

HSZ3.75S-51/61



PARTS LIST		CONTRACTOR PUMPS			12/4/2012	
ITEM	PART No.	DESCRIPTION	QTY	SIZE	MATERIAL	NOTES
1	143-000-27	Pan Tapping Screw	1	M4x16	SUS304	
2	010-134-18	Cable Clip Rubber	1	HS3-4	NBR	
3	109-000-17	Float Support Bush	1	d10.6/d9	Resin	
4	140-427-17	Hex.Bolt (w/Plain Washer)	2	M5x15	SUS304	
5	001-003-39	Cabtyre Cable Set (10m)115V-60Hz(USA)	1	VCT3Cx2mm2(CSA3P,w/Float)	LB	
	001-003-36	Cabtyre Cable Set (10m)230V-60Hz(USA)	1	VCT3Cx2mm2(w/Float)	LB	
6	140-032-37	Hex.Bolt	2	M6x15	SWRM	
7	068-272-18	Handle	1	HS2.4(S)-50/60	SPCNR	
8	140-396-16	Hex.Bolt (w/Spring Washer/Plain Washer)	3	M6x20	SUS304	
9	051-000-21	Motor Head Cover	1		ADC	
10	121-000-72	Packing	1	d121xd140x2.8t	NBR	
11	143-127-13	Pan Screw (w/Spring Washer/Plain Washer)	2	M4x8	SWRM	
12	053-001-33	Motor Protector 110V-60Hz(USA)	1	KA142-BBBL21F	(T.C)	
12	053-000-70	Motor Protector 230V-60Hz(USA)	1	KA142-BPVL25F	(T.C)	
13	076-000-38	Capacitor 115V-60Hz(USA)	1	80MF-250VAC(d50x70L)		
13	076-000-37	Capacitor 230V-60Hz(USA)	1	20MF-440VAC(d45x85L)		interchangeable with OLD part# 076-000-30
14	143-086-22	Pan Screw (w/Spring Washer)	1	M4x8	SWRM	
15	127-000-34	Capacitor Fixing Plate 110V-60Hz(USA)	1	d50	SPC	
15	127-000-35	Capacitor Fixing Plate 230V-60Hz(USA)	1	d45	SPC	
16	009-000-67	Earth Terminal	1Set	1.25mm2X170L		
17	140-000-44	Hex.Bolt (w/Spring Washer/Plain Washer)	1	M4x8	SWRM	
18	050-000-48	Motor Bracket	1		ADC	
19	142-192-16	Wave Washer	1	6201(D=32,t=0.4)	SK5	
20	052-100-15	Bearing	1	6201ZZC3		
21	055-001-23	Rotor	1Set	w/Bearing		
22	052-152-12	Bearing	1	6302ZZC3		
23	056-004-10	Stator(w/M.Frame) 110V-60Hz(USA)	1Set			
23	056-004-12	Stator(w/M.Frame) 230V-60Hz(USA)	1Set			
24	025-291-10	Mechanical Seal	1	W-14VL	SiC+CCBN	
25	030-000-09	Oil Lifter	1	W-14VL	Resin	
26	122-133-17	O-Ring	1	G-110(109.4xd3.1)	NBR	
27	140-056-37	Hex.Bolt	3	M8x30	SWRM	
28	029-000-74	Oil Casing	1	HS3.75S/HS2.75S	FCD	
29	121-000-74	Packing	1	HS3.75S/HS2.75S	NR	
30	140-256-26	Hex.Socket Cap Bolt	3	M6x35	SCM	
31	121-246-11	Packing	1	d10.3xd16x2t	PE	
32	035-124-12	Oil Plug	1	M10x15	SUS304	
33	122-441-11	V-Ring	1	VR-14	NBR	
34	071-292-14	Shaft Sleeve	1	LB3-250/480	SUS304	
35	021-007-55	Impeller (60Hz)	1	HSZ3.75S-61	Urethane Rubber	
36	142-127-10	Plain Washer	1	M8	SUS304	
37	142-163-18	Spring Washer	1	M8	SUS304	
38	024-174-13	Aqitator	1	HS2.4(S)(M8)	Sintered Alloy	
39	140-076-33	Hex.Bolt	4	M10x30	SWRM	

PARTS LIST		CONTRACTOR PUMPS			12/4/2012	
ITEM	PART No.	DESCRIPTION	QTY	SIZE	MATERIAL	NOTES
40	142-128-24	Plain Washer	4	M10	SPC	
41	032-000-34	Hose Coupling	1	NPT-3(45)	FC	
42	121-181-17	Packing	1	KT-15	NBR	
43	020-001-57	Pump Casing	1	HS3.75S/HS2.75S	FCD	
44	023-000-77	Strainer Stand	1	HS3.75S	PVC	
45	142-127-23	Plain Washer	3	M8	SPC	
46	140-057-38	Hex.Bolt	3	M8x35	SWRM	
		<Packing O-Ring Set>				
	173-001-31	Packing O-Ring Set	1Set	(Marked by *)		
10	121-000-72	Packing (Head Cover/M.Frame)	1	d121xd140x2.8t	NBR	
26	122-133-17	O-Ring (M.Frame/O.Casing)	1	G-110(109.4xd3.1)	NBR	
29	121-000-74	Packing (O.Casing/P.Casing)	1	HS3.75S/HS2.75S	NR	
31	121-246-11	Packing (Oil Plug)	1	d10.3xd16x2t	PE	
42	121-181-17	Packing (Hose Coupling)	1	KT-15	NBR	
		Lubricant		Turbine Oil VG32 160ml		

* Indicates items included in set